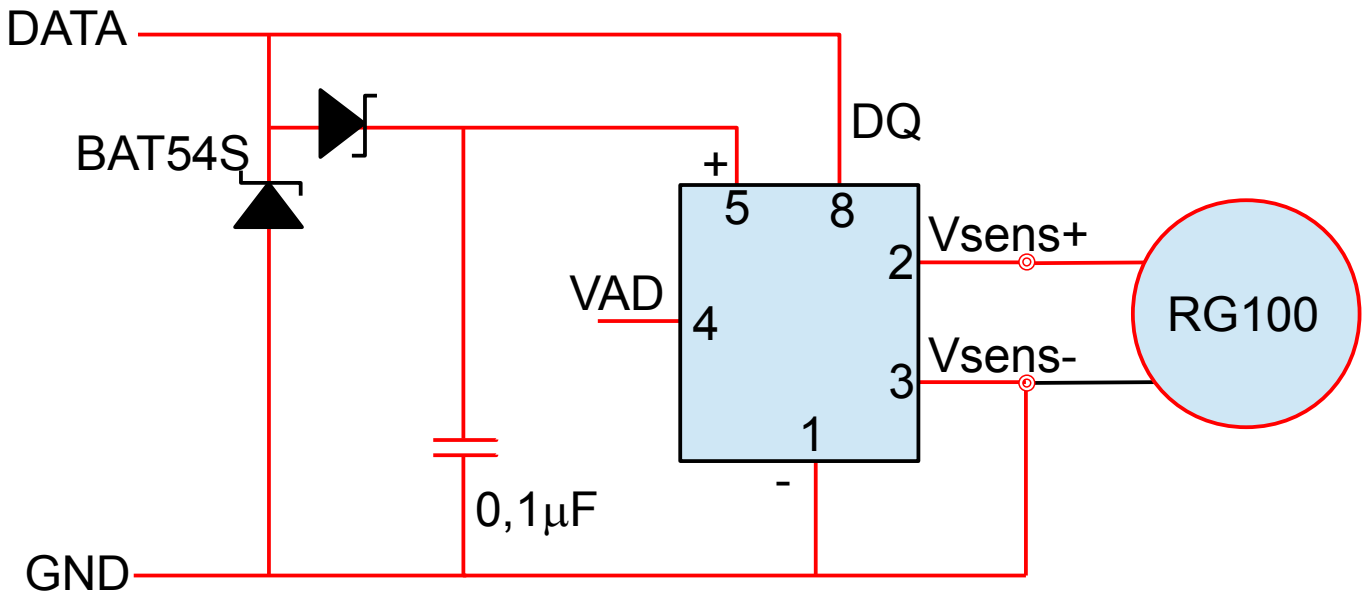


DS2438 + RG100



BAT54S = double diode